

Installation instructions for PZ4AL-01271-00
Under Run Protective Shield Transmission Case

LEXUS LX 570



TOYOTA LAND CRUISER 200



Model Year **LX 570 - 2010 - 2011**

LC200 - 2007

LC200MC - 2012

Vehicle Code **URJ201L-GNTGKW**

**UZJ200L-GNAEKW
VDJ200L-GNTEZW**

**URJ202L-GNTEKW
VDJ200L-GNTEZW**

Part Number

Steel: PZ4AL-01271-00



Weight

Steel: 9,0 kg



Installation Time

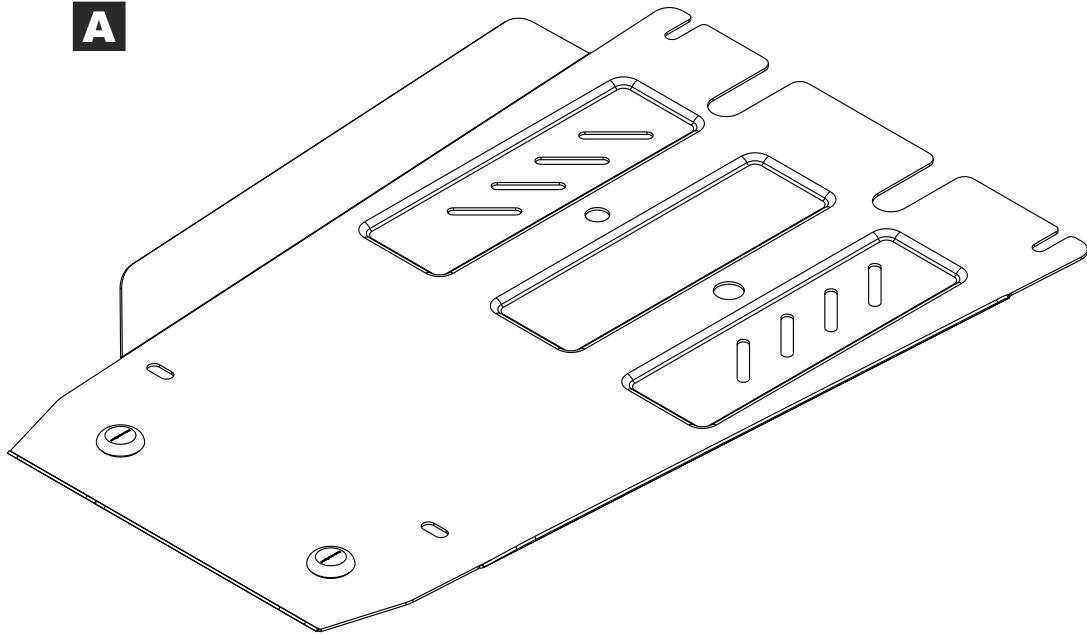
10 min

Manual reference number

AIM 001-098-1

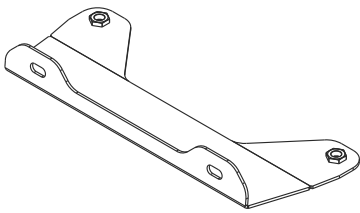
Part number: PZ4AL-01271-00

A



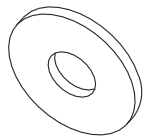
PZ4AL-01276-60

B



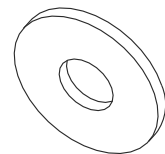
x1

C1



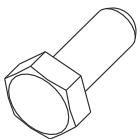
x2 \varnothing 8

C2



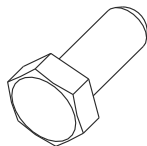
x2 \varnothing 10

D1

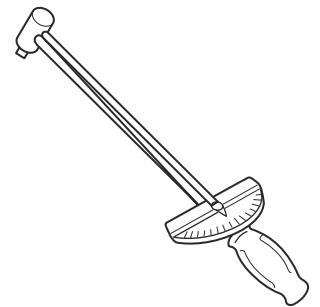
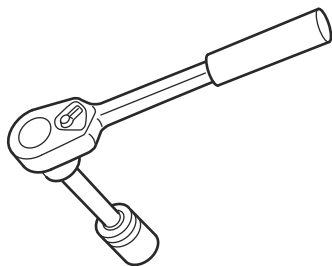


x2 M 8x20

D2



x2 M 10x30



Part number:
PZ4AL-01271-00

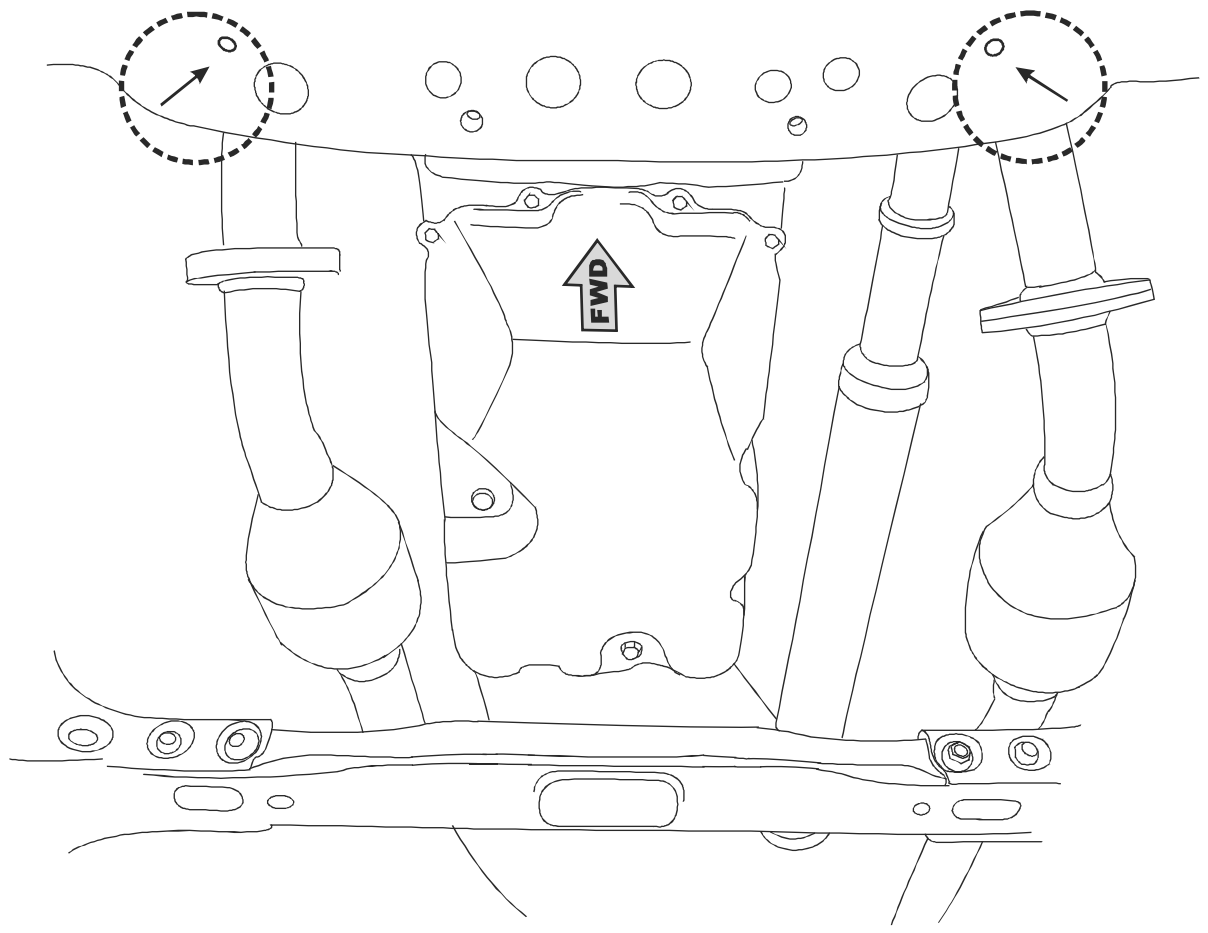
Issue:
1

Date:
21/09/12

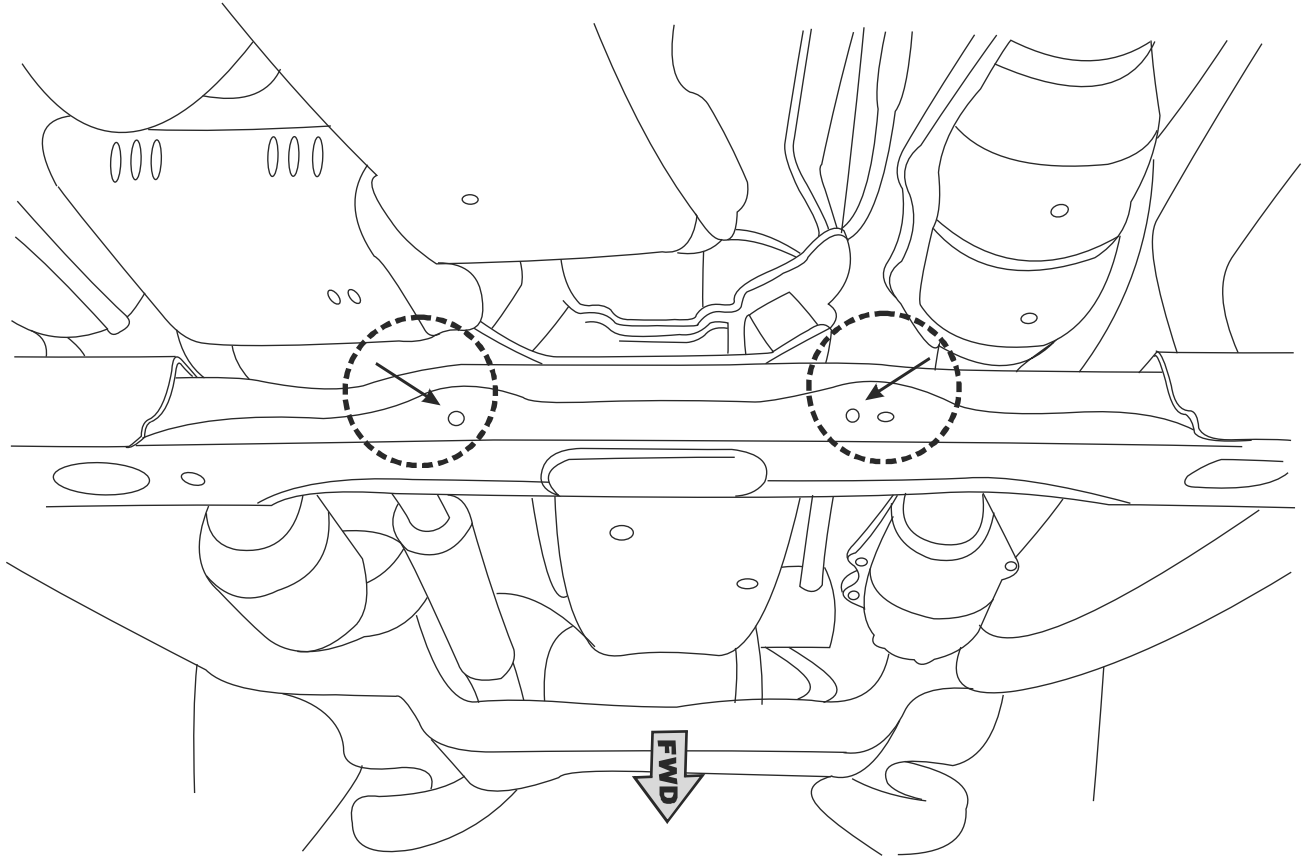
Manual reference number:
AIM 001-098-1

Page:
2/5

1



2



Part number:
PZ4AL-01271-00

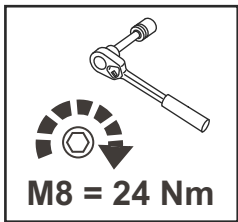
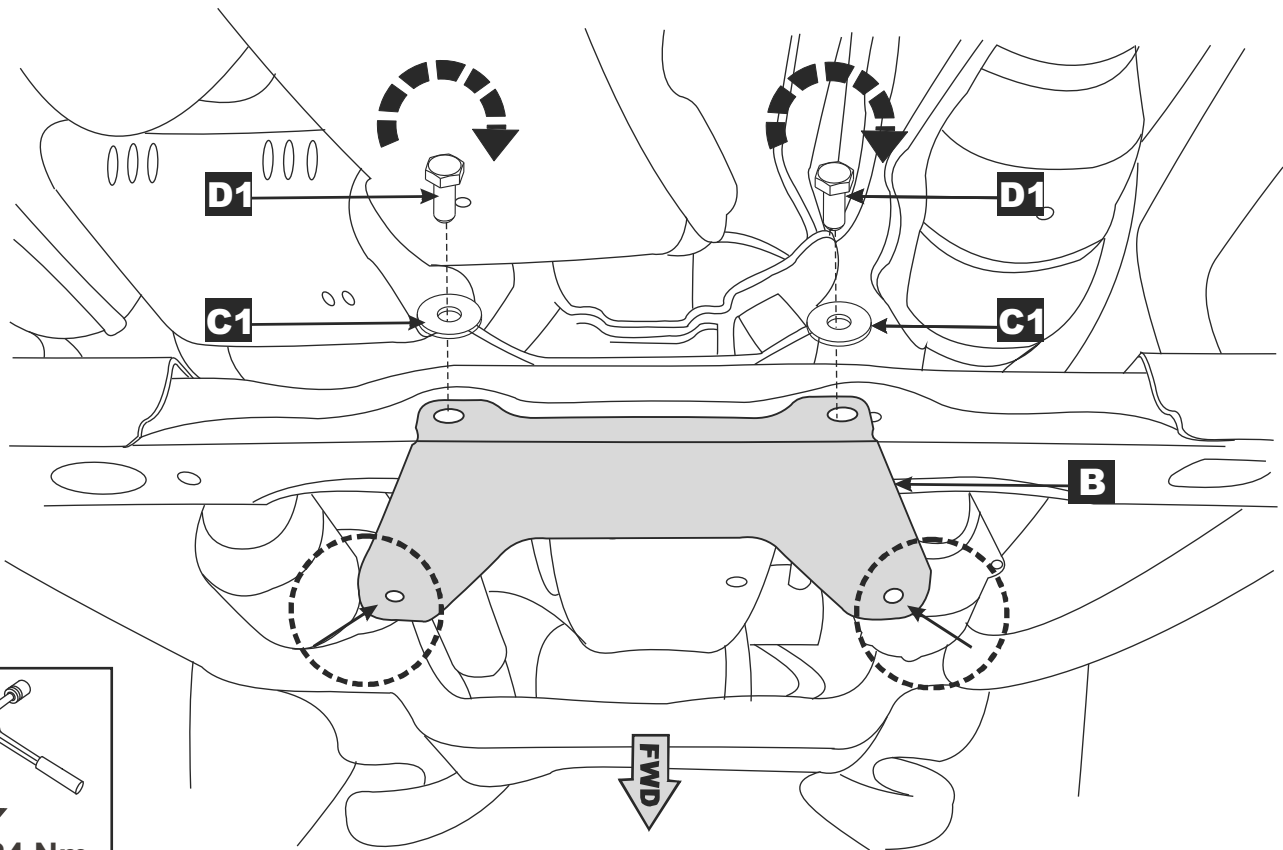
Issue:
1

Date:
21/09/12

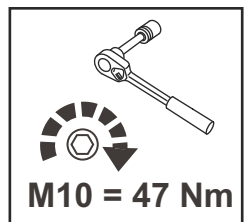
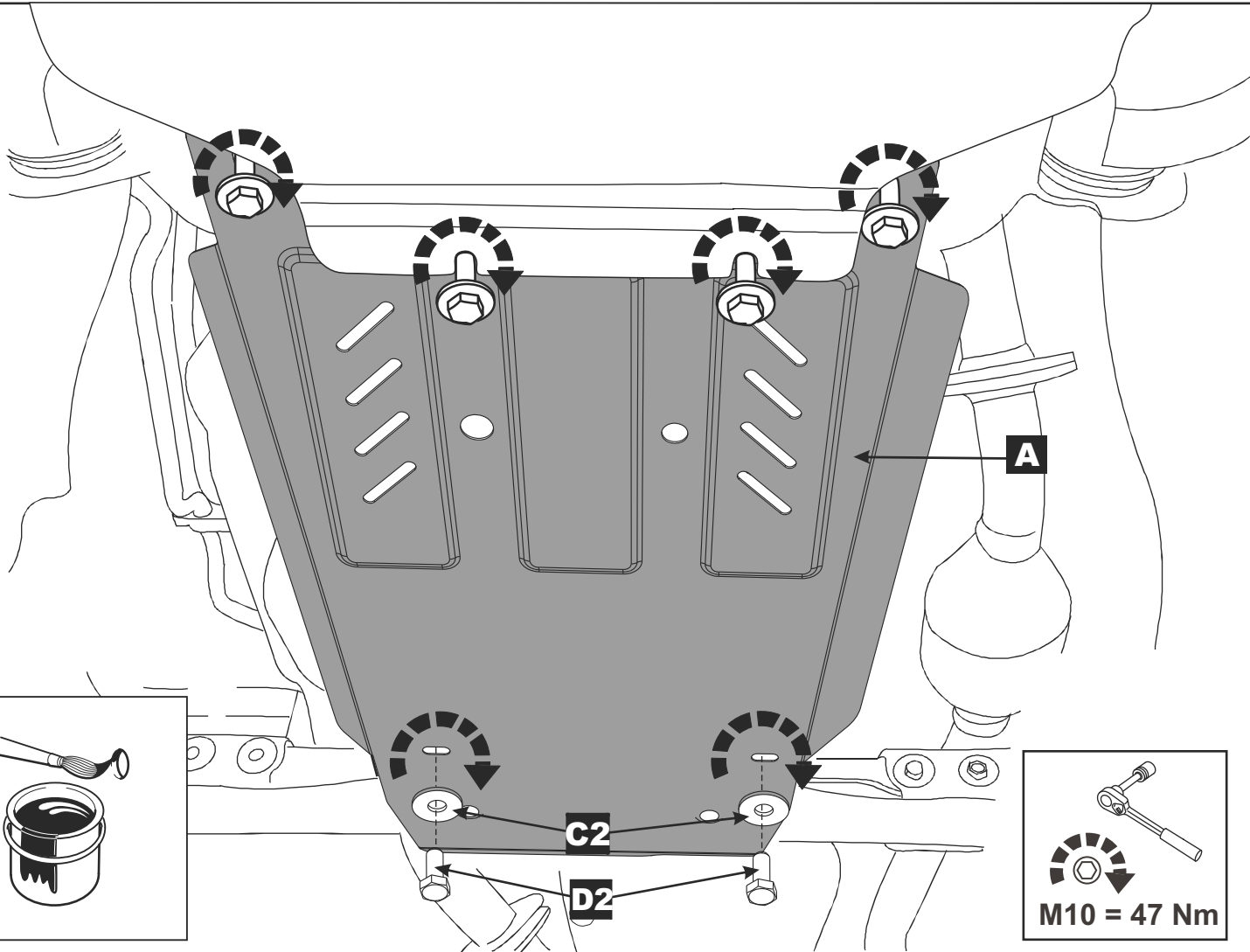
Manual reference number:
AIM 001-098-1

Page:
3/5

3



4



Part number:
PZ4AL-01271-00

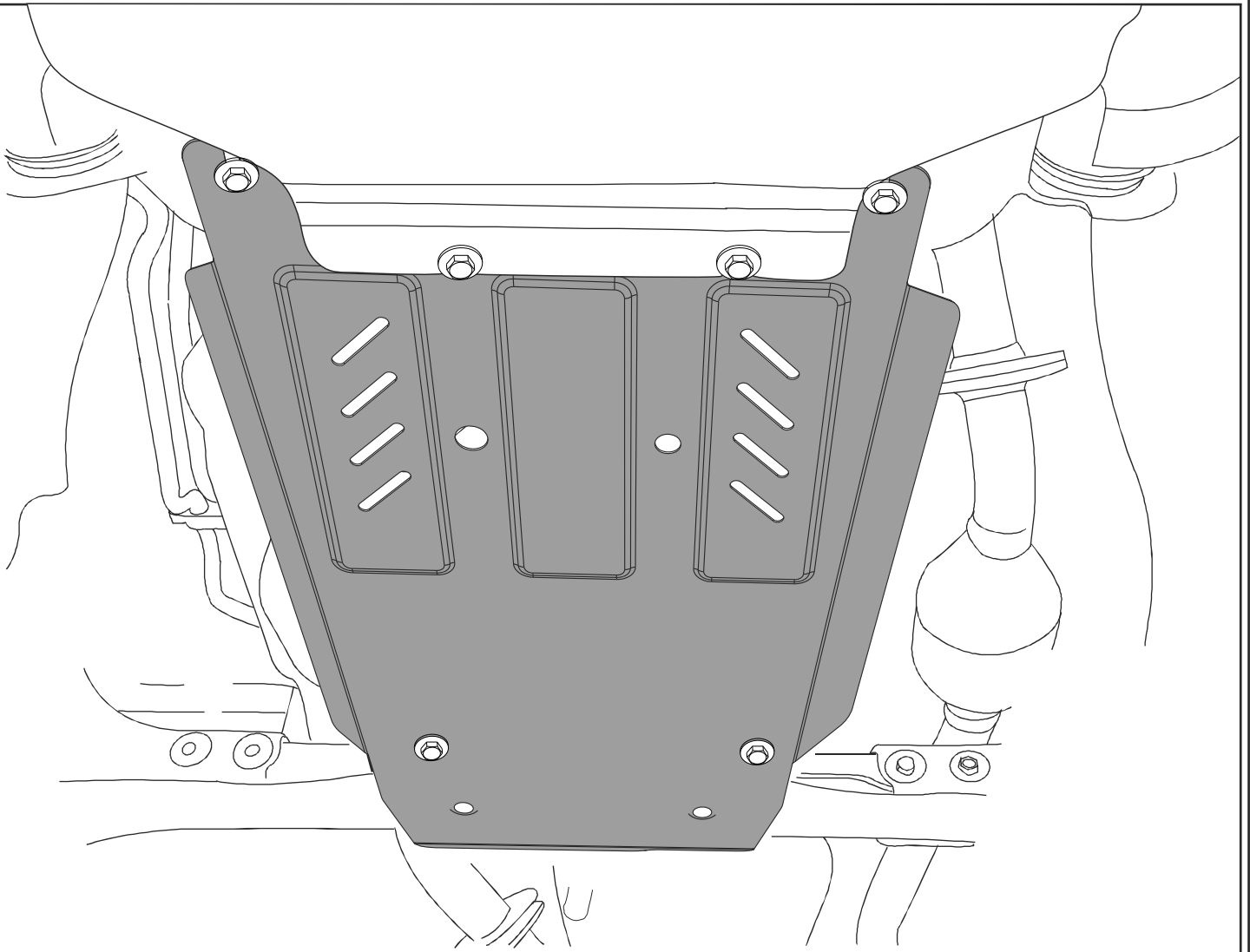
Issue:
1

Date:
21/09/12

Manual reference number:
AIM 001-098-1

Page:
4/5

5



Part number:
PZ4AL-01271-00

Issue:
1

Date:
21/09/12

Manual reference number:
AIM 001-098-1

Page:
5/5